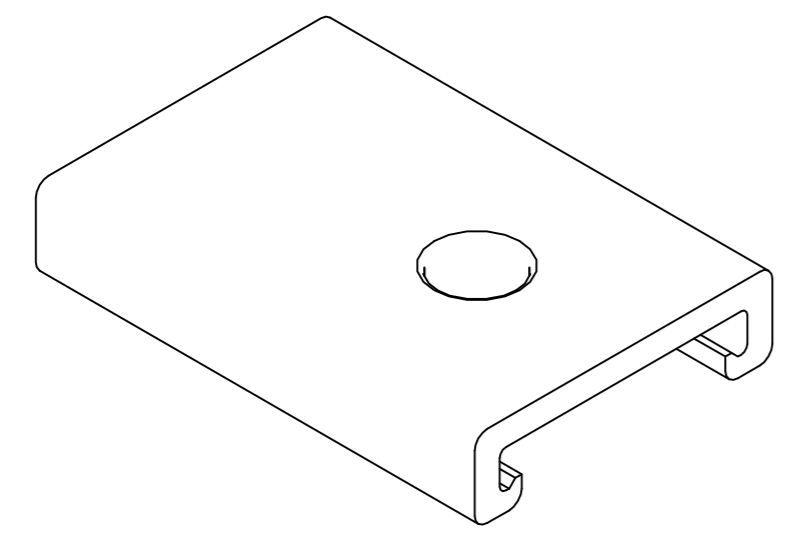
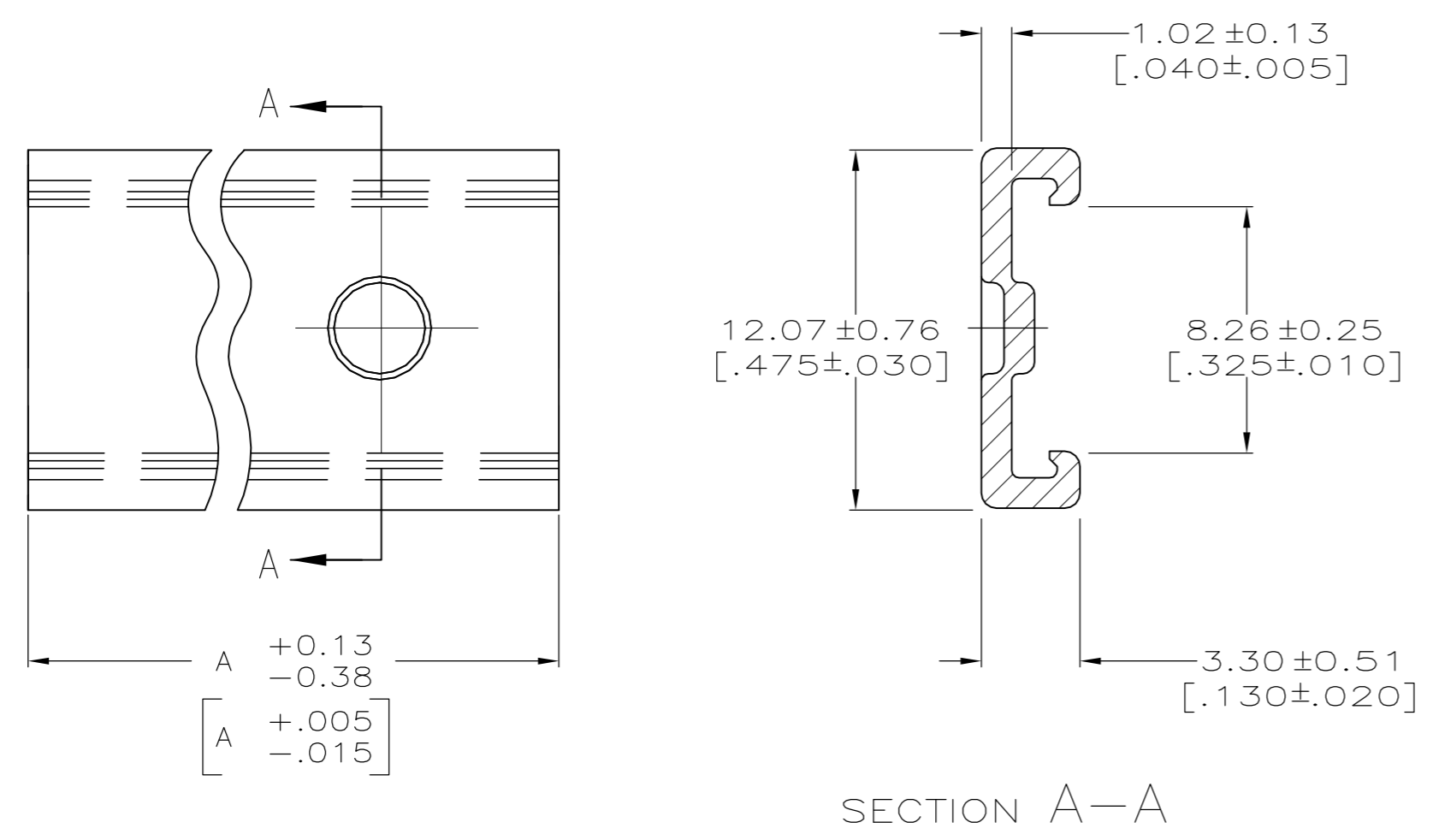


1. DIMENSIONS IN BRACKETS ARE IN INCHES.



3-DIMENSIONAL MODEL NTS

METRIC

24	CIRCUIT ASSY	95.10	[3.744]	2-640643-4	
23	CIRCUIT ASSY	91.14	[3.588]	2-640643-3	
22	CIRCUIT ASSY	87.17	[3.432]	2-640643-2	
21	CIRCUIT ASSY	83.21	[3.276]	2-640643-1	
20	CIRCUIT ASSY	79.25	[3.120]	2-640643-0	
19	CIRCUIT ASSY	75.29	[2.964]	1-640643-9	
18	CIRCUIT ASSY	71.32	[2.808]	1-640643-8	
17	CIRCUIT ASSY	67.36	[2.652]	1-640643-7	
16	CIRCUIT ASSY	63.40	[2.496]	1-640643-6	
15	CIRCUIT ASSY	59.44	[2.340]	1-640643-5	
14	CIRCUIT ASSY	55.47	[2.184]	1-640643-4	
13	CIRCUIT ASSY	51.51	[2.028]	1-640643-3	
12	CIRCUIT ASSY	47.55	[1.872]	1-640643-2	
11	CIRCUIT ASSY	43.59	[1.716]	1-640643-1	
10	CIRCUIT ASSY	39.62	[1.560]	1-640643-0	
9	CIRCUIT ASSY	35.66	[1.404]	640643-9	
8	CIRCUIT ASSY	31.70	[1.248]	640643-8	
7	CIRCUIT ASSY	27.74	[1.092]	640643-7	
6	CIRCUIT ASSY	23.77	[.936]	640643-6	
5	CIRCUIT ASSY	19.81	[.780]	640643-5	
4	CIRCUIT ASSY	15.85	[.624]	640643-4	
3	CIRCUIT ASSY	11.89	[.468]	640643-3	
2	CIRCUIT ASSY	7.92	[.312]	640643-2	
USED ON MTA 156 CONNECTOR ASSEMBLY AS LISTED				A	PART NO

THIS DRAWING IS A CONTROLLED DOCUMENT.		DWN	T. BECK	4-9-91	 TE Connectivity				
DIMENSIONS: MM[INCHES]		CHK	R. SWING	4-9-91					
TOLERANCES UNLESS OTHERWISE SPECIFIED:		APVD	G. MILLER	4-10-91					
0 PLC ± - 1 PLC ± - 2 PLC ± - 3 PLC ± - 4 PLC ± - ANGLES ± ± - FINISH -		PRODUCT SPEC - APPLICATION SPEC - WEIGHT -		NAME COVER, FEEDTHRU, MTA-156					
MATERIAL	POLYESTER,UL 94V-0 NATURAL	CUSTOMER DRAWING		SCALE	5:1	SHEET	1 OF 1	REV	R1